

***HT300(HT200 · HT100)&DF3600,DF5050***

LEAD FREE

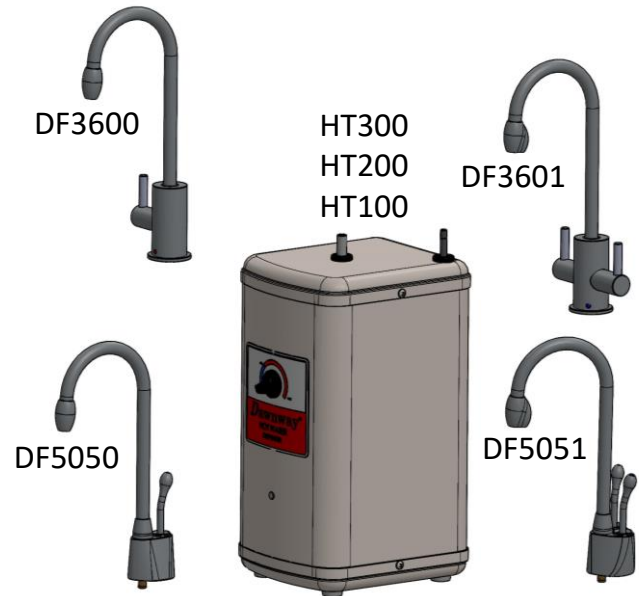
INSTANT HOT WATER DISPENSER

***HT300(HT200 · HT100)&DF3601,DF5051***

LEAD FREE

INSTANT HOT AND COLD WATER DISPENSER

## INSTALLATION MANUAL



# IMPORTANT INFORMATION

---

This hot water dispenser produces instant hot water of approximately 203° F (95° C, max.) as dispensed from the faucet.

This product is not intended to produce a continuous flow of hot water.

The standard model will produce up to 60 cups of water per hour at approximately 190° F (88° C). Due to high water temperature, for safety reasons, the tank is not under pressure. Consequently, there is a slight delay of water flow after the faucet has been activated. This is normal and indicates that the expansion chamber is functioning properly.

This appliance is not intended for use by persons (including children) with reduced physical, sensory or mental capabilities, or lack of experience and knowledge, unless they have been given supervision or instruction concerning use of the appliance by a person responsible for their safety. Children should be supervised to ensure that they do not play with the appliance.

## IMPORTANT SAFETY INSTRUCTIONS

### ***PLEASE READ ALL INSTRUCTIONS VERY CAREFULLY***

When using electrical appliances, basic safety precautions should always be followed including the following:

1. Read all instructions.
2. To protect against electrical shock, do not place cord, plugs, or appliance in water or other liquid.
3. Do not operate any appliance with a damaged cord or plug, or after the appliance malfunctions. Return appliance to the factory for examination, repair or adjustment. See Warranty insert.
4. Do not use outdoors or in damp area.
5. Do not let cord hang over edge of table or counter, or touch hot surfaces.
6. Do not use appliance for other than intended household use.
7. Do not attempt to service this product. Repairs should be done by authorized service personnel.
8. Do not let children operate. The water can cause severe burns.

**SAVE THESE INSTRUCTIONS. THIS PRODUCT FOR HOUSEHOLD USE ONLY.**

**! WARNING**

The alert symbols displayed above point to important safety information to make you aware of potential hazards that can cause serious injury or death. Please pay special attention to the information following these alerts and warnings. Failure to comply with these instructions can result in property damage, serious injury or death.

**ELECTRICAL SUPPLY**

**! WARNING**

**THIS APPLIANCE MUST BE EARTHED, In the event of a malfunction, earthing provides a path of least resistance for the electrical current, thus reducing the risk of electrical shock.**

This dispenser is rated at 120VATTS, 50/60 Hz, maximum 10.9AMPS and should be connected to a main distribution board or consumer unit. Before you begin connecting the electrical supply, you should be thoroughly familiar with electrical power and procedures. If you are not, consult an electrician.

**IS THE DISPENSER EARTHED?**

**! WARNING**

**THIS APPLIANCE MUST BE EARTHED.**

In the event of malfunction or breakdown, earthing reduces the risk of shock. This dispenser must be connected to an earthed, metal, permanent wiring conductor and connected to the equipment earthing terminal or lead on the dispenser.

**HOT WATER CONCEPT**

Unlike a household water heater, this dispenser tank is not pressurized for safety reasons. For a conventional household water heater, the faucet valve is placed after the heater tank resulting in a pressurized tank. For a hot water dispenser, the faucet valve is placed before the tank, creating an "open vent" style faucet and consequently no pressure is built up inside the tank.

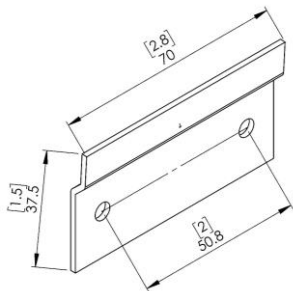
**Operating inlet water pressure requirements :  
140kPa (20psi) Min and 1000 kPa (150psi) Max**

# HT300

INSTANT HOT WATER DISPENSER

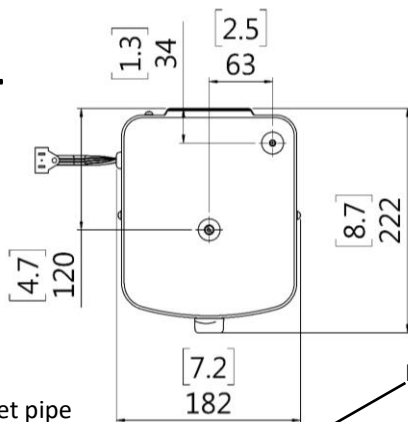
## SPECIFICATION SHEET

- . 2.3 LITTER STAINLESS STEEL TANK
- . ALL STAINLESS STEEL TANK AND CASE
- . HEATS 60 CUPS PER HOUR
- . 1 YEAR WARRANTY TO ORIGINAL PURCHASER
- . MOUNTING BRACKET INCLUDED



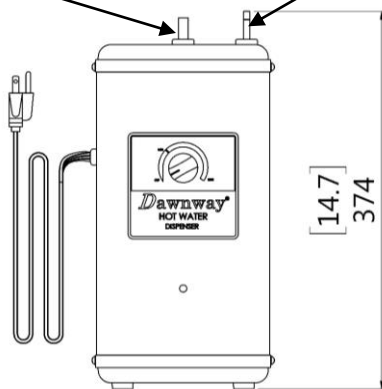
### ELECTRICAL SPECIFICATION

- . 120 VAC, 50/60Hz
- . 750 WATTS, 6.3 AMPS
- . 1000 WATTS, 8.4 AMPS
- . 1300 WATTS, 10.9 AMPS
- . MAX TEMP 100 °C (212 °F)



outlet pipe

Inlet pipe



**Dawnway**



accessory :



quick-connect fitting  
with filter and cap



quick-connect fitting

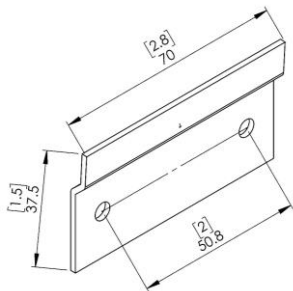
UNIT :  $\frac{[INCH]}{mm}$

# HT200

INSTANT HOT WATER DISPENSER

## SPECIFICATION SHEET

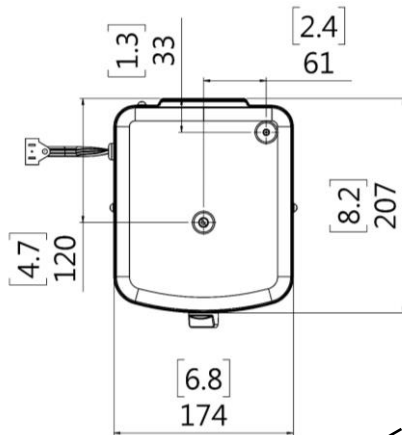
- . 2.3 LITTER STAINLESS STEEL TANK
- . ALL STAINLESS STEEL TANK AND CASE
- . HEATS 60 CUPS PER HOUR
- . 1 YEAR WARRANTY TO ORIGINAL PURCHASER
- . MOUNTING BRACKET INCLUDED



### ELECTRICAL SPECIFICATION

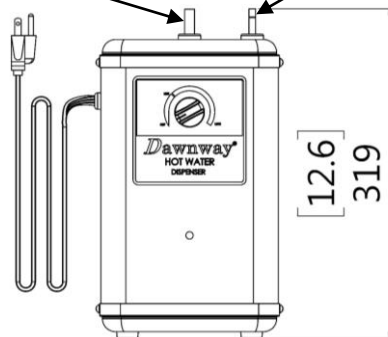
- . 120 VAC, 50/60Hz
- . 750 WATTS, 6.3 AMPS
- . 1000 WATTS, 8.4 AMPS
- . 1300 WATTS, 10.9 AMPS
- . MAX TEMP 100 °C (212 °F)

**Dawnway®**



outlet pipe

Inlet pipe



accessory :



quick-connect fitting  
with filter and cap



quick-connect fitting

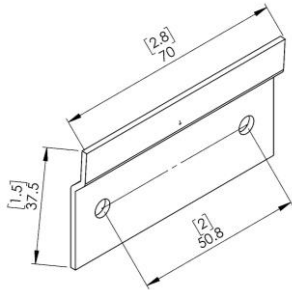
UNIT :  $\frac{[INCH]}{mm}$

# HT100

INSTANT HOT WATER DISPENSER

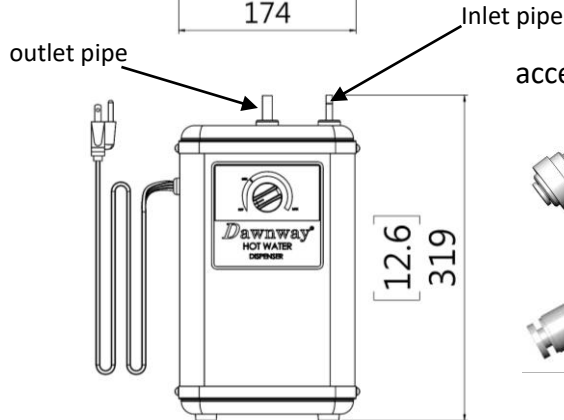
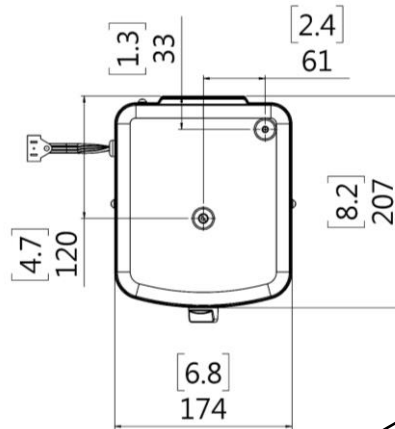
## SPECIFICATION SHEET

- . 2.3 LITTER STAINLESS STEEL TANK
- . ALL STAINLESS STEEL TANK AND CASE
- . HEATS 60 CUPS PER HOUR
- . 1 YEAR WARRANTY TO ORIGINAL PURCHASER
- . MOUNTING BRACKET INCLUDED



### ELECTRICAL SPECIFICATION

- . 120 VAC, 50/60Hz
- . 750 WATTS, 6.3 AMPS
- . 1000 WATTS, 8.4 AMPS
- . 1300 WATTS, 10.9 AMPS
- . MAX TEMP 100 °C (212 °F)



**Dawnway**



accessory :



quick-connect fitting  
with filter and cap



quick-connect fitting

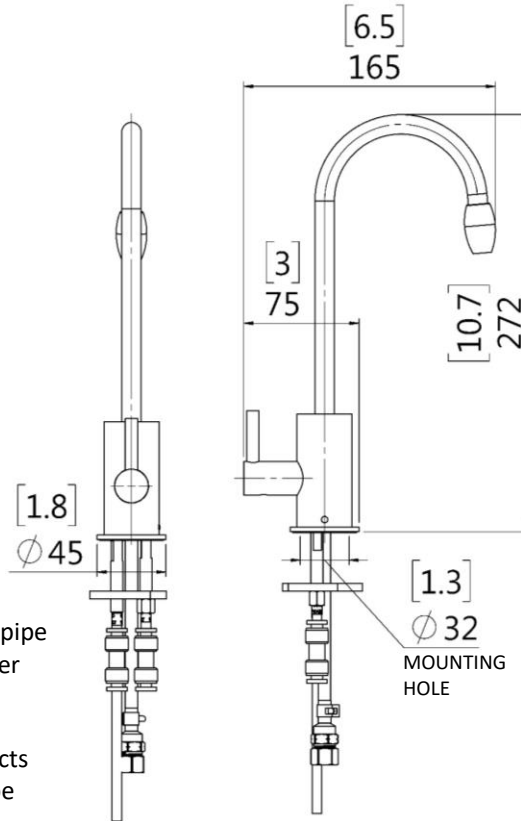
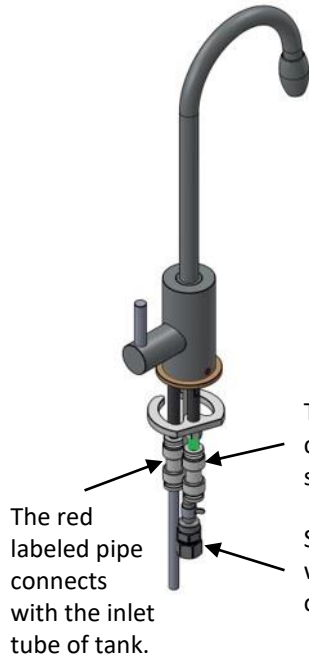
UNIT :  $\frac{[INCH]}{mm}$

# DF3600

LEAD FREE FAUCET

INSTANT HOT WATER DISPENSER

## SPECIFICATION SHEET

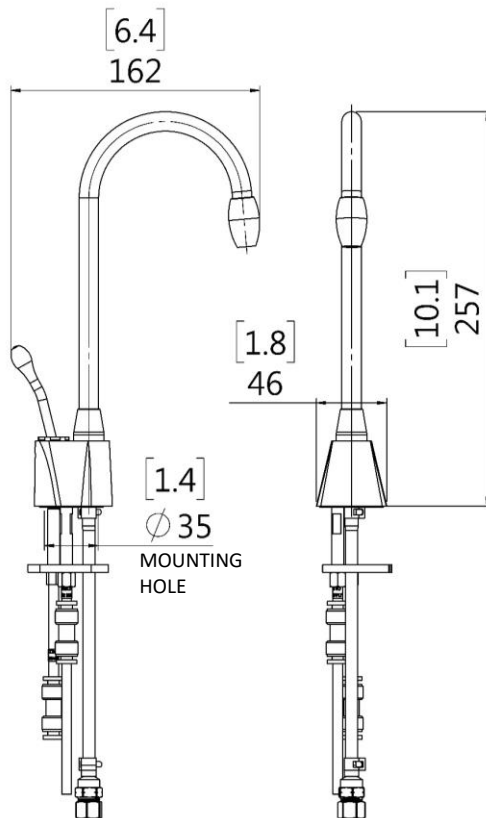
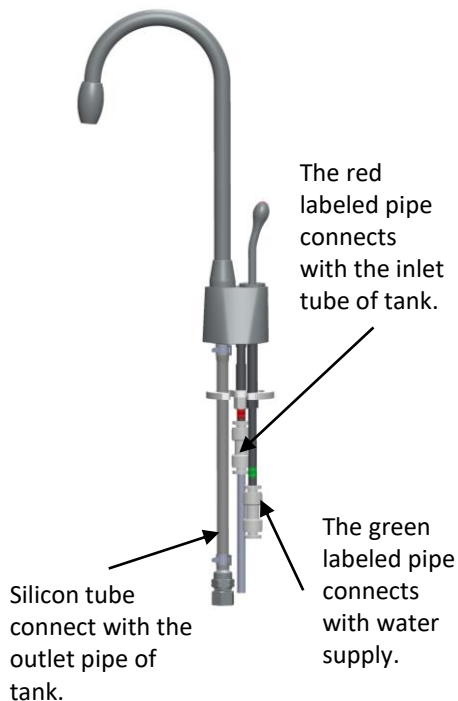


UNIT :  $\frac{[INCH]}{mm}$

# DF5050

LEAD FREE FAUCET  
INSTANT HOT WATER DISPENSER

## SPECIFICATION SHEET



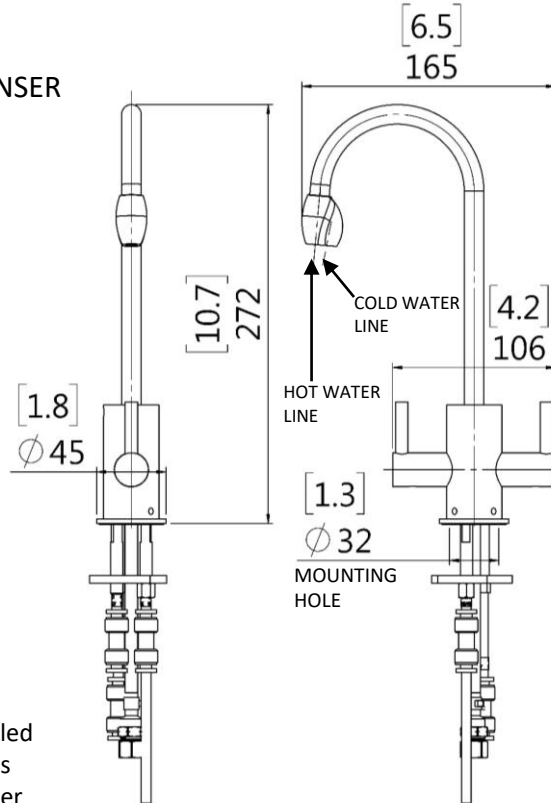
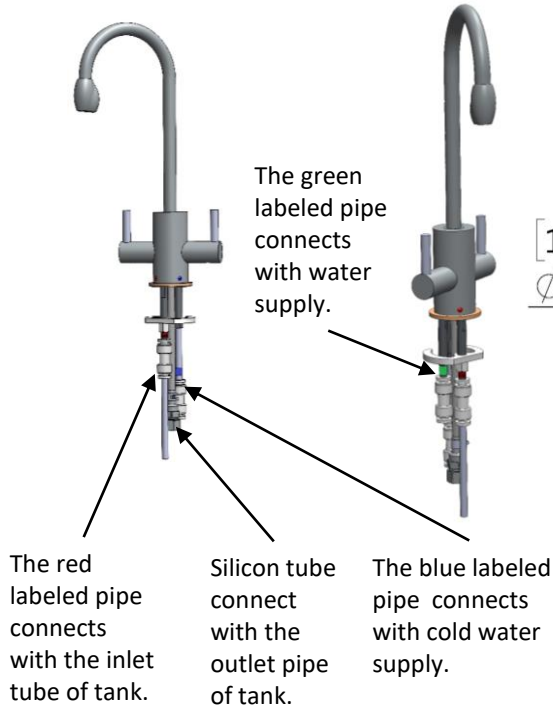
UNIT :  $\frac{[INCH]}{mm}$



# DF3601

LEAD FREE FAUCET  
INSTANT HOT AND COLD WATER DISPENSER

## SPECIFICATION SHEET

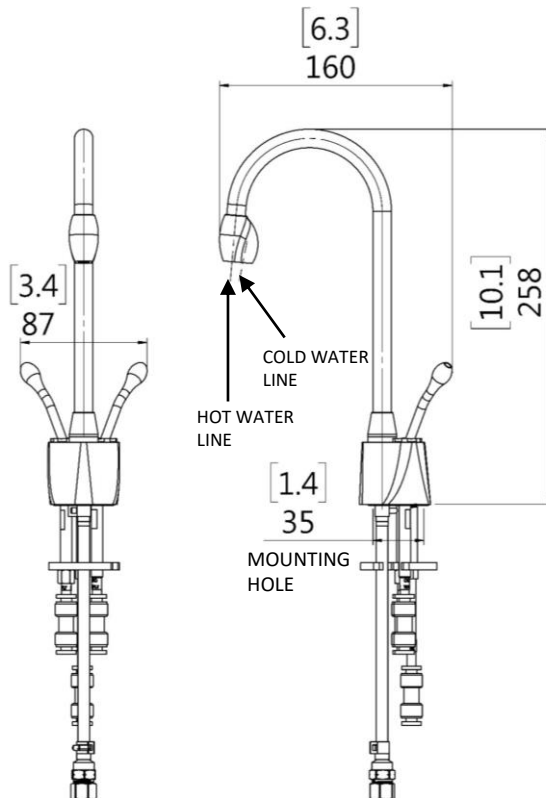
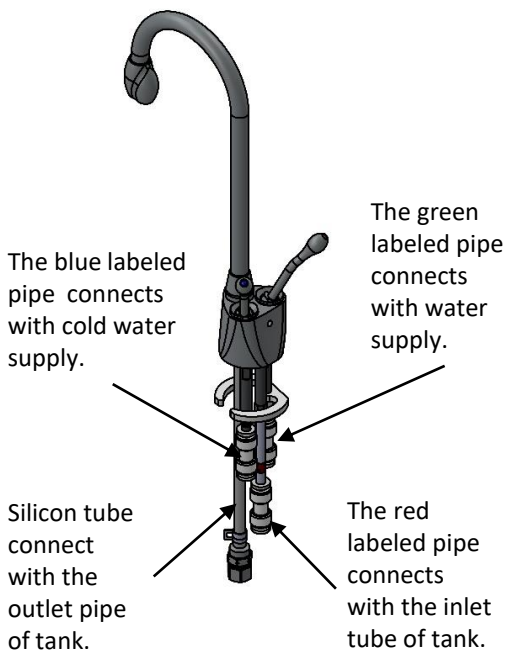


UNIT :  $\frac{[INCH]}{mm}$

# DF5051

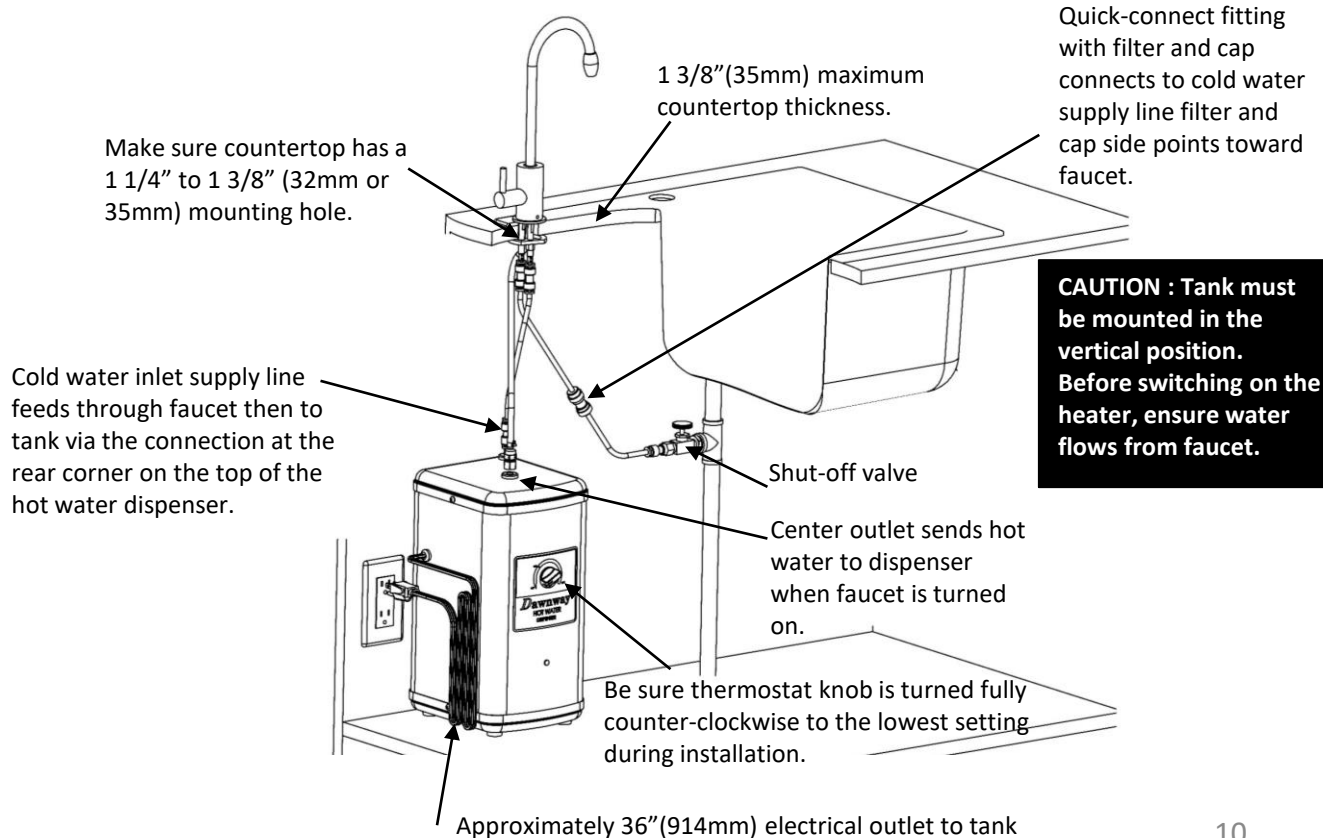
LEAD FREE FAUCET  
INSTANT HOT AND WATER DISPENSER

## SPECIFICATION SHEET



UNIT :  $\frac{[INCH]}{mm}$

# OVERVIEW OF A COMPLETED SET-UP



# BEFORE YOU BEGIN INSTALLATION 1

- Installation must comply with local plumbing codes.
- Read these instructions for the dispenser and heating tank before proceeding.
- Dispenser will drip occasionally in use after water is drawn and tank is heating more water. This is normal.
- Make sure the tank outlet supply tube has no loops or low areas.
- Tighten fitting with an adjustable crescent or open wrench. Never use a pipe wrench.
- Never dispenser both hot and cold water at the same time.
- Dispenser will occasional drip and spurt during heat up. Turning thermostat knob counter-clockwise little to prevent spurting.
- You will be instructed throughout this document to make certain of the position of the thermostat dial and references will be made to various thermostat positions, such as "OFF" , "MIN" , "MAX" etc. Please refer to the diagrams below to understand the thermostat positions.

## THERMOSTAT POSITIONS

Turn knob counterclockwise for lowest setting position

Low setting position

The diagram right shows the thermostat knob turned to its lowest setting. To achieve this position, turn the knob completely counterclockwise until it stops.

Lowest setting position



Turn knob clockwise for maximum hot water temperature

Maximum setting position

The diagram left shows the thermostat at a Maximum temperature, fully "ON" position. Turn the knob completely clockwise to achieve this position.



# BEFORE YOU BEGIN INSTALLATION 2

1. Determine a convenient location to mount faucet and tank. Important considerations when determining location include:
  - Existing hole in sink (the spray hose opening for example) or drilling another hole into the sink or countertop. If drilling a new hole, you will need to drill a 1 1/4" (32 mm) or 1 3/8" (35 mm) hole in your sink.
  - Drilling into a stainless steel sink : You need a 1 1/4" (32 mm) or 1 3/8" (35 mm) knockout punch (available at most hardware stores) or drill a hole with an expandable drill.
  - Drilling into a porcelain sink : Proper tools are required to drill through a porcelain or cast iron sink. If you are not familiar with this process you should consider having this done by a professional plumber.
  - Do not attempt to drill sink holes without these special tools as you may severely damage your sink.
  - Location of the hole should also provide easy access for tank connections.
  - Tank must be mounted close to faucet to avoid kinking or pulling of lines. Lengthening of lines is not recommended as this may diminish performance of the appliance and void warranty.
  - The thickness of the sink or counter must be less than 1 3/8" (35mm).
  - Be sure faucet is positioned where there will be no contact with the water flow when turning the faucet on and off to avoid burns.
  - Be sure to allow for 4" to 6" (101.6 mm to 154.2 mm) of space around the front and sides of the tank to allow for air circulation.
  - The container(s) you will use with the appliance such as a large cooking pan or carafe.
2. Before connecting to the power source, the tank must be filled with water and the thermostat turned to the lowest setting.
3. Do not use an extension cord with this appliance. Appliance must be within approximately 36" (914 mm) of the power source.
4. Do not use any pipe sealing compounds as they may get inside the dispenser causing an objectionable taste and odor.

# Materials required (not provided)



2 mounting bracket screws  
(and 2 plastic anchors if  
attaching to drywall)



1/4" (6.35 mm) O.D. PE  
tube

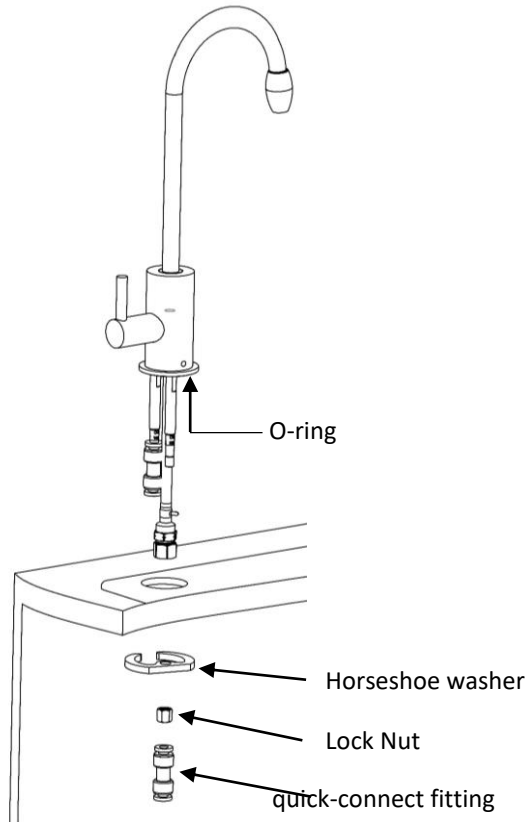


shut-off valve  
and "T" fitting"

## Tools and Safety Equipment you may need (not provided)

- ruler or measuring tape
- pliers
- hand or electric drill
- small drill bit for starter holes
- 1 3/8" (35 mm) drill bit - if no sink hole exists
- safety glasses
- bucket or pan
- open-end wrench (es)
- gloves
- tubing cutter

# Faucet Installation (stage 1)



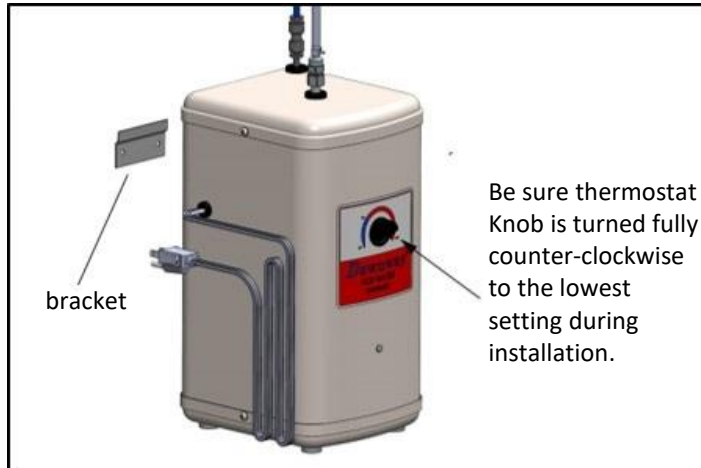
## INSTALLING PROCEDURE :

1. Make sure countertop has a 1 1/4" or 1 3/8" (32mm or 35mm) mounting hole and countertop thickness is no more than 1-3/8"(35mm).
2. Make sure there is space for the handles to push back when opened.
3. Remove lock nut , horseshoe washer and quick-connect fitting from the mounting pipe .
4. Make sure O-ring is in the bottom of body . Slide the mounting hoses through the countertop.
5. Place the horseshoe washer on the mounting pipe and thread on lock nut. Make sure faucet is aligned properly and the hot handle is on the left. Tighten the lock nut.
6. Push back the quick-connect fitting on the mounting pipe.

# Tank Installation (stage 2)

Position tank vertically beneath faucet so the flexible tube from the faucet reaches the center faucet supply tube on the tank and tank touches the wall. Mark the wall at the top of tank. Set tank aside. Mark a second line 2 1/8" (54 mm) below the first line. Align bottom of bracket even with the second line and screw into place. If a stud is not available, drywall anchors may be used for additional support. Hang tank on bracket.

Be sure to allow for 4" to 6" (101.6 mm to 154.2 mm) air circulation around the front and sides of tank.



Mounting considerations to ensure back siphonage cannot occur:  
This faucet must be mounted on a surface so that the faucet outlet is higher than the highest portion of the sink.

**NOTE :**

The tank must be positioned so the hose to the faucet does not twist or kink.



# Connecting (stage 3)

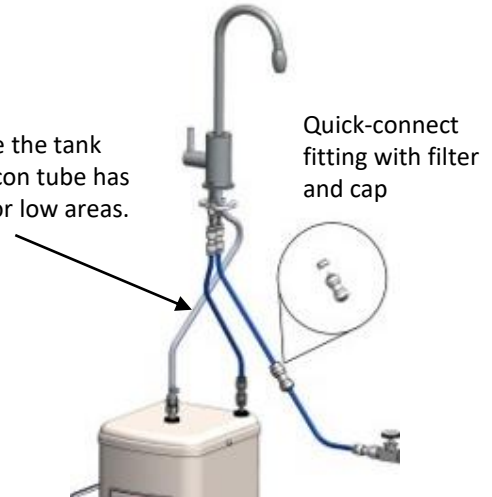
## Step 1 - Connect Faucet to Tank

- Connect the pipe of marked red label on the faucet by 1/4" (6.35 mm) PE tube to the rear pipe at the top corner of tank with the quick-connect fitting supplied with the appliance. (Do not use the quick-connect fitting with filter and cap.)
- Push line straight into quick-connect fitting as far as possible for both connections.
- Install the compression tube assy. on the outlet pipe of tank.
- Use pliers to open clamp and thread the silicon tube through clamp then push fully onto compression tube assy. Mounted on center outlet pipe on top of tank. The clamp should create a secure connection when properly installed.
- Be sure the silicon tube is not twisted or kinked. Hose may be shortened if necessary.

**NOTE:** DO NOT lengthen the silicon tube – dispenser performance will be impaired and warranty will be void.

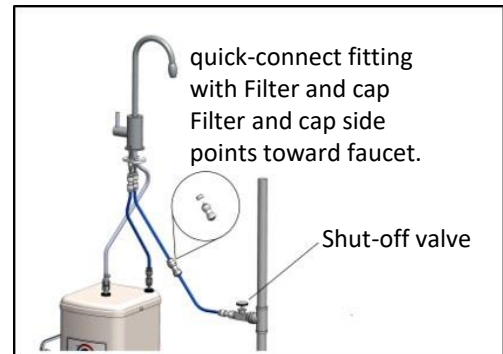


Make sure the tank outlet silicon tube has no loops or low areas.



## Step 2.0 Connect Cold Water Supply (for water supply without filter or chiller)

- Check filter in Quick-Connect Fitting with Filter and Cap .
- The cone-shaped screen filter comes seated inside the quick-connect fitting as shown in the illustration below, with the narrow end protruding through the cap which is also attached to the fitting. (The open or wide end of the screen is inserted into the fitting.) However, the filter may become dislodged in the shipping process.
- Check to see that it is seated correctly within the fitting. If the cap is still in place, pop cap off by slipping a screwdriver into the notch and lift off. Gently pull on the screen. If it comes loose, push in with a light jiggling or wiggling motion until it snaps into place. If installed property, a gentle pull should not dislodge it.
- Cold water is supplied to the tank through the faucet. Connect the cold water line to the faucet using the 1/4" (6.35 mm) supply line and the quick-connect fitting that contains a cone shaped screen filter (supplied with the tank.) The cap end of the fitting connects to the faucet line.
- It is suggested that a shut-off valve be installed between this connection and the cold water supply line.

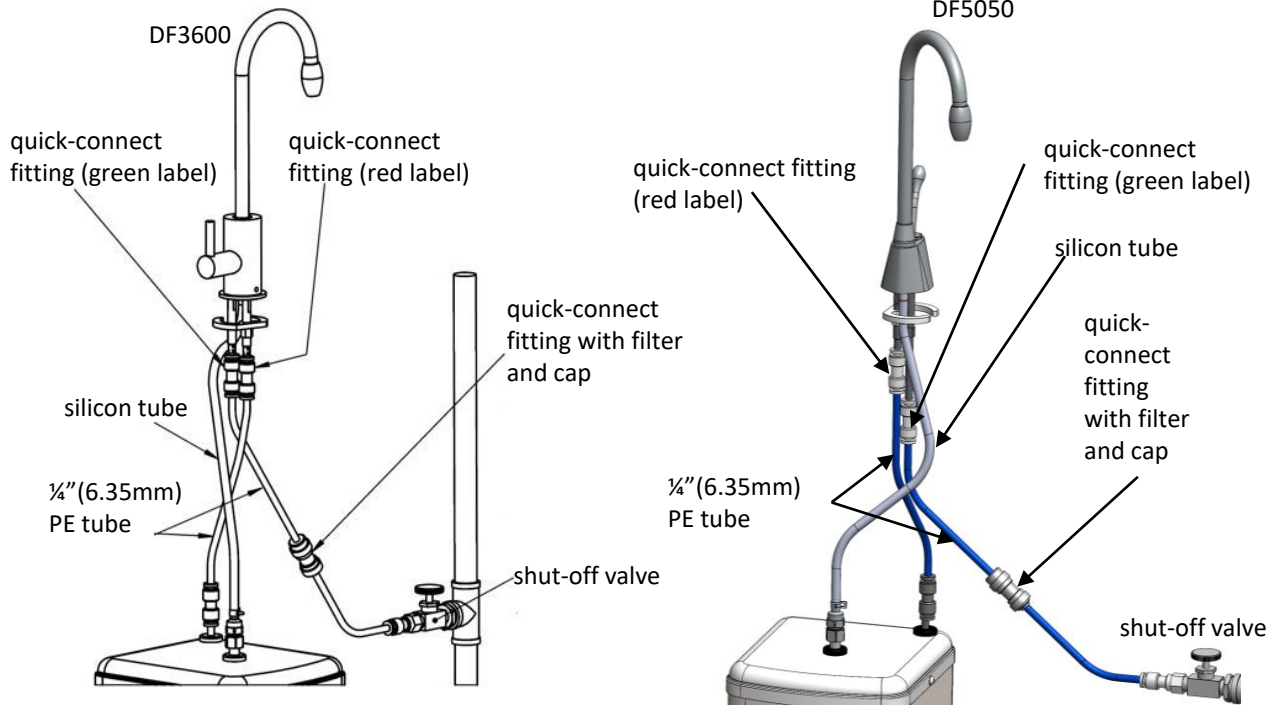


## Step 2.1 - Connect Cold Water Supply For DF3600 & DF5050 Without Filter Or Chiller :

Connect a quick-connect fitting with filter and cap (attached with tank) between shut-off valve and faucet and cap side points toward faucet. See page 16.

Connect the pipe of marked green label on the faucet by  $\frac{1}{4}$ "(6.35mm) PE tube to shut-off valve .  
Do not connect directly to the water supply without shut-off valve.

**Flush** all lines before connecting.



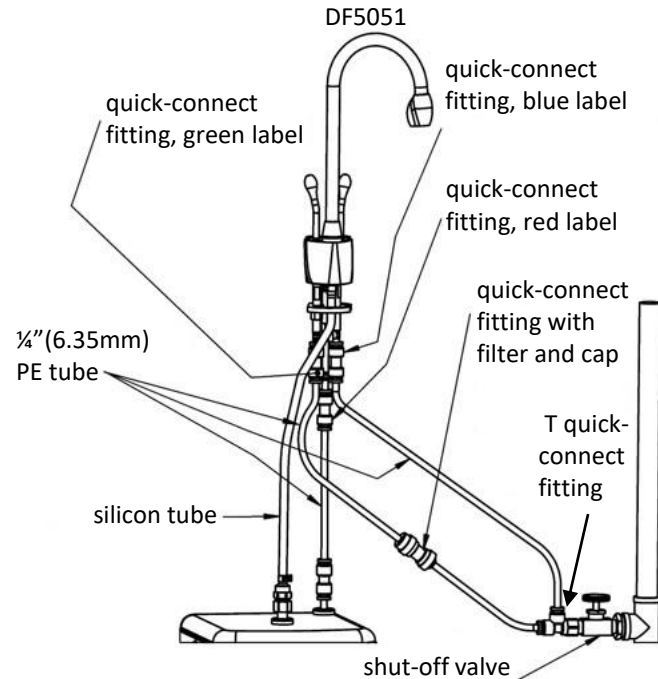
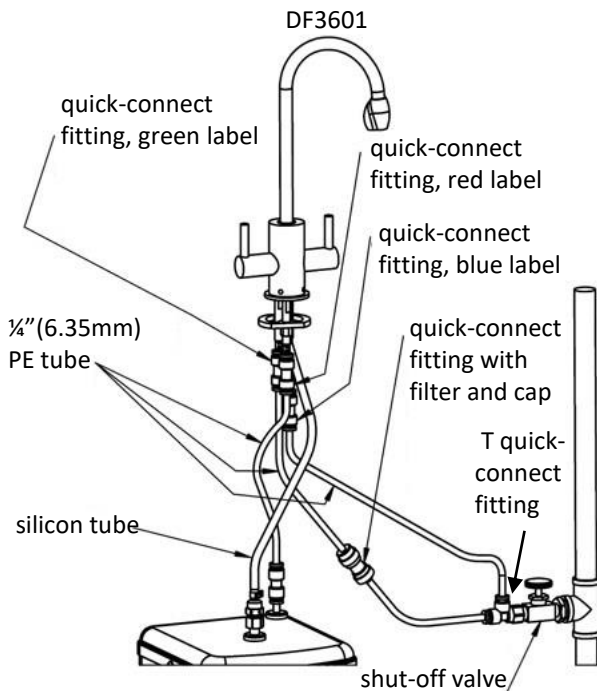
## Step 2.2 - Connect Cold Water Supply For DF3601 & DF5051 Without Filter Or Chiller :

Install a shut-off valve with T quick-connect fitting in the main water supply line.

Connect ¼"(6.35mm) PE tube between faucet quick-connect fitting (blue label ) and shut-off valve for cold water supply.

Connect ¼"(6.35mm) PE tube between faucet quick-connect fitting (green label ) and quick-connect fitting with filter and cap and then connect to shut-off valve for hot side water supply.

Do not connect directly to the water supply without shut-off valve. **Flush** all lines before connecting.



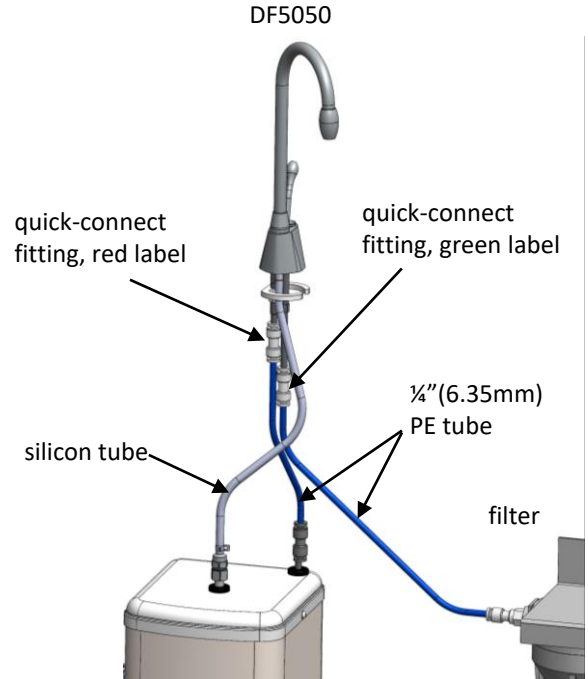
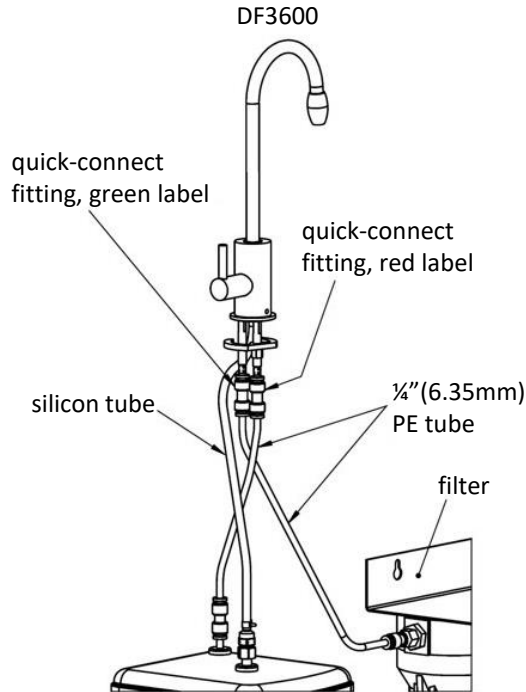
## Step 2.3 - Connect Cold Water Supply For DF3600 & DF5050 With Filter :

Connect ¼" (6.35mm) PE tube between faucet quick-connect fitting (green label) and shut-off valve .

Do not connect directly to the water supply without shut-off valve.

**Flush** all lines before connecting.

If no water filter is used connect a quick-connect fitting with filter and cap (attached with tank) between shut-off valve and faucet.

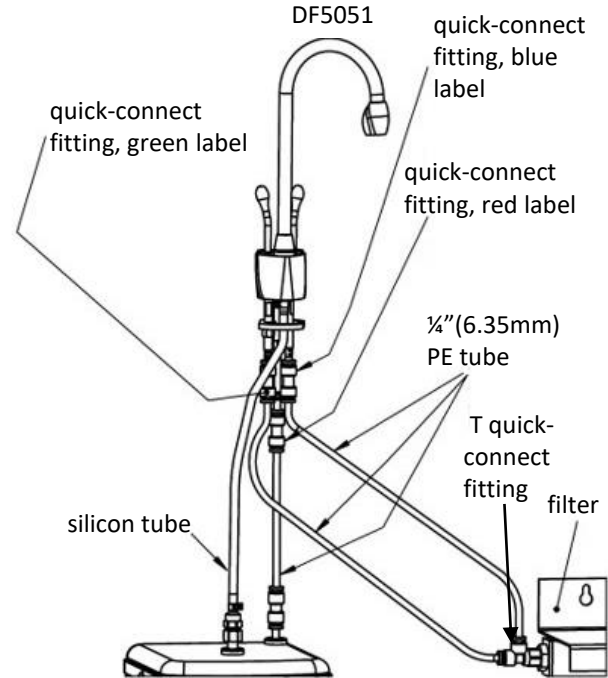
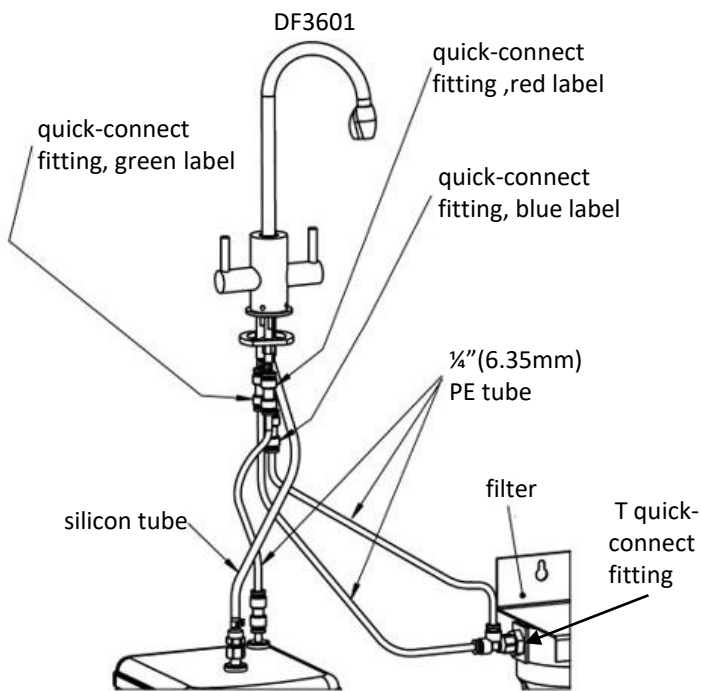


## Step 2.4 - Connect Cold Water Supply For DF3601 & DF5051 With Filter :

Make sure there is a shut-off valve in the inlet of water filter and a T quick-connect fitting in the outlet of water filter. Connect  $\frac{1}{4}$ "(6.35mm) PE tube between faucet quick-connect fitting (blue label ) and outlet of water filter for cold water supply.

Connect  $\frac{1}{4}$ "(6.35mm) PE tube between faucet quick-connect fitting (green label ) and outlet of water filter for hot side water supply.

Do not connect directly to the water supply without shut-off valve. **Flush** all lines before connecting.



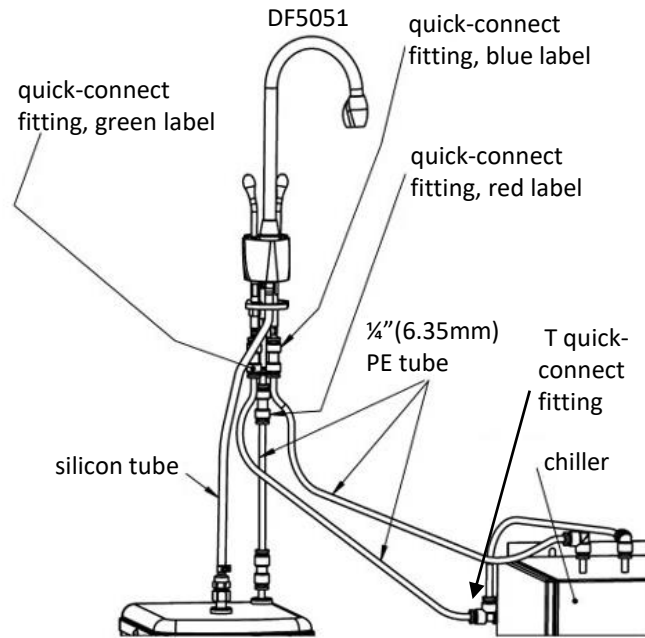
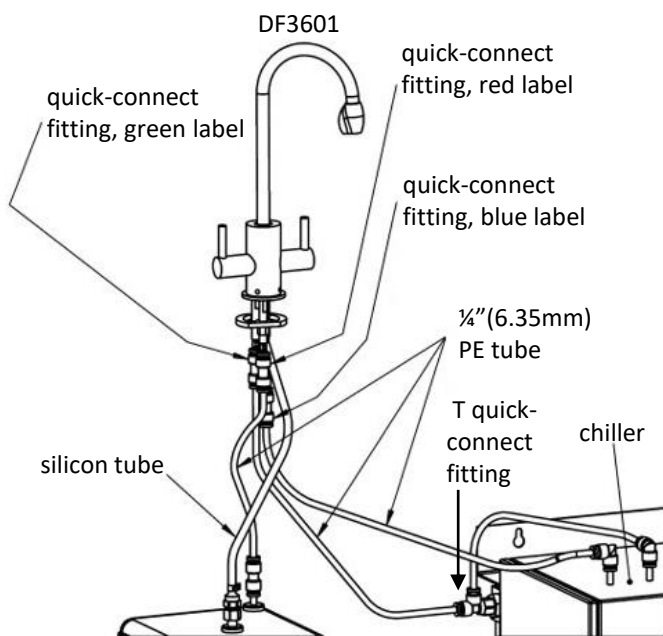
## Step 2.5 - Connect Cold Water Supply For DF3601 & DF5051 With Water Chiller And Filter :

Make sure there is a shut-off valve in the inlet of water filter and a T quick-connect fitting in the outlet of water filter. Connect  $\frac{1}{4}$ "(6.35mm) PE tube between outlet of water filter and inlet of water chiller for chiller water supply.

Connect  $\frac{1}{4}$ "(6.35mm) PE tube between faucet quick-connect fitting (blue label ) and outlet of water chiller for chilled water supply.

Connect  $\frac{1}{4}$ "(6.35mm) PE tube between faucet quick-connect fitting (green label ) and outlet of water filter for hot side water supply.

Do not connect directly to the water supply without shut-off valve. **Flush** all lines before connecting.



### Step 3 - Check for Leaks

#### **Make sure the inlet water supply pressure is 140kPa (20psi) Min and 1000 kPa (150psi) Max.**

Open valve in water line. Turn faucet on (hold if necessary) to fill tank (about 1 minute). When tank is full, water will flow from faucet. Allow water to flow from the faucet for approximately 10 seconds. Turn faucet off. Check for leaks.

### Step 4 - Prepare for Power

Double check thermostat control dial is turned fully counterclockwise to its lowest setting. Thermostat control dial controls the water temperature, not the water flow or delivery.

#### **IMPORTANT INFORMATION** - This dispenser is equipped with a Self Re-setting Thermal Fuse

Turn thermostat to lowest setting and fill tank with water before plugging the power cord from the tank into an electrical outlet.

If tank is empty and the thermostat set in the low setting position (approximately at the 11:00) when the power cord is connected, the self re-setting fuse in the heater control will disconnect the current to the heater after approximately one minute, thus protecting the heater from a "dry start" failure. The fuse in the heater control will self-reset after approximately 30 minutes.\* Turn on the water supply to the tank and continue the installation.

Continued misuse will cause damage to the appliance and is detectable thus, voiding the warranty.

\*(Re-setting of fuse can be accelerated by turning on the water supply and dispensing water until fuse re-sets in approximately 3 minutes.)

### Step 5 - Test Installation

For electrical connection, please refer to Electrical Supply section on page 2.

Turn thermostat control dial clockwise to the maximum position. Maximum temperature will be reached in about 15 minutes and dispenser will be ready for use. Lower the temperature setting by turning thermostat control dial counterclockwise if you notice vapor or a boiling noise.

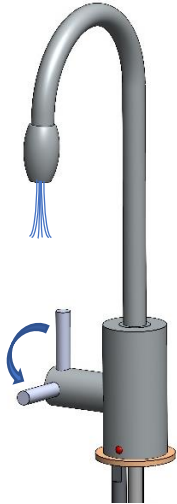
To raise or lower the water temperature, rotate the thermostat dial. With the dial set at a low setting (the dial pointing at approximately 11:00), the water temperature will be approximately 140° F (60° C). When the dial is set at the maximum setting (dial turned fully clockwise), the water temperature will be approximately 203° F (95° C).



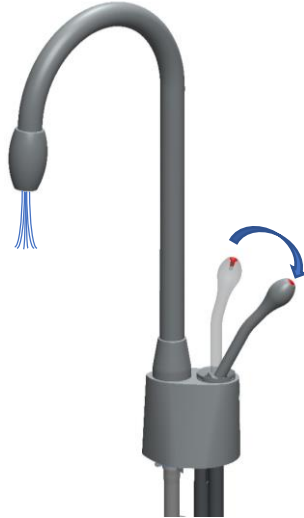
# OPERATING INSTRUCTIONS

For Hot Water

DF3600



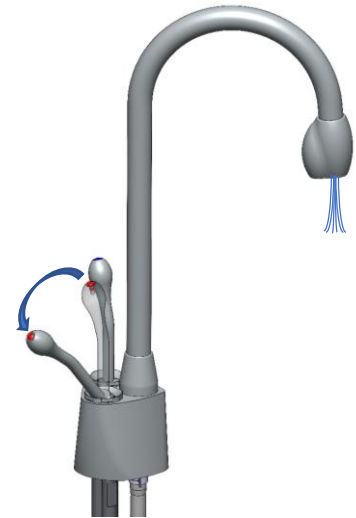
DF5050



DF3601



DF5051



Depress the dispenser's **HOT** handle and hold it until **HOT** water flows from the spout. Release it, handle bar will automatically return to close position.

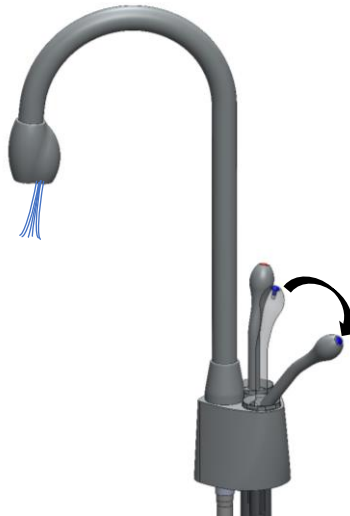
# OPERATING INSTRUCTIONS

For Cold Water

DF3600



DF5050



Turn the dispenser's cold handle forward until cold water flows from the spout. Turn it backward to close the water.

DF3601



**DO NOT**

DF5051



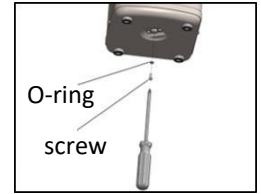
Never dispense both hot and cold water at the same time unless the water supply pressure is more than 30 psi.

# CLEANING AND MAINTENANCE

## Seasonal Shutdown

To prevent damage when dispenser is exposed to freezing temperatures, water must be drained.

1. Unplug dispenser tank from power supply.
2. Turn thermostat control dial to lowest position (fully counterclockwise).
3. Turn faucet on and run water until water is cold.
4. Place a 3-quart (2.8 L) container under drain plug at bottom of the tank. Use a screwdriver to remove the screw and O-ring in the drain tube opening. When tank is fully drained replace O-ring and screw. Tighten to reseal the drain.



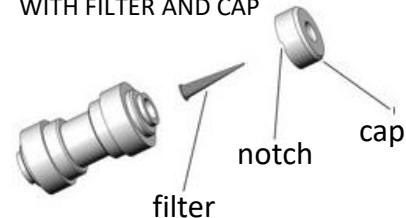
**NOTE :** Do not plug appliance into power supply if tank is empty.

## Cleaning Quick-Connect Filter Screen at Cold Water Inlet

If you notice that the water flow is reduced, it may be necessary to clean the quick-connect screen, Refer to Installation Step 4.

1. Turn thermostat dial to the lowest setting. Turn on faucet and run water until it is cold to avoid possibility of burn.
2. Release cap with a screwdriver, pry it loose using the notch in the cap.
3. Also using the screwdriver push in on the smallest ring around copper line. This action releases tension, allowing disconnection of the copper line and quick-connect.
4. Pull cone shaped filter screen out (there will be slight tension) and clean with vinegar as necessary. Check cap and clean as necessary. If deposits have hardened, soak in vinegar for an hour or two. Then use a brush to clean.
5. Reassemble in reverse order of disassembly. Be aware, when inserting the screen back into place there is a slight resistance. Push until the screen "pops" into place. Check for leaks.
6. Turn thermostat dial to its maximum position. The dispenser will be ready in about 15 minutes.

QUICK-CONNECT FITTING WITH FILTER AND CAP



# TROUBLESHOOTING

## The following situations are not covered by the One Year Replacement Warranty.

1. Water is not hot: (assuming cold water supply is connected properly and valve is open)
  - Check if dispenser is plugged in.
  - Turn thermostat control dial fully clockwise. This may produce boiling water in approximately 15 minutes and possibly be accompanied by a gurgling sound in the tank and/or water "sputtering" from the faucet. If the water boils, turn thermostat control dial slightly counterclockwise until the gurgling and/or "sputtering" stops. This should take place within 20 seconds. Turn control dial an additional 1/8" (3mm) counterclockwise at the tip of the dial. Wait 15 minutes and check the temperature of the water.

**NOTE:** The thermostat activates the heater after water temperature in the tank drops approximately 15° F (8° C) from the maximum setting. The dispenser does not produce a continuous flow of hot water.

2. Hot water drips or sputters from faucet:
  - Turn thermostat control dial counterclockwise (see item 1).
  - Check that the hose connecting the faucet to the dispenser tank is not clogged, twisted or kinked.
  - Check if the filter screen of quick-connect with filter cap is clogged. (See CLEANING AND MAINTENANCE)
  - Rubber tubing from tank to faucet has been extended.
3. Water does not flow right away or at all:
  - Due to high temperature and for safety reasons, the tank is not under pressure causing a slight delay in water flow.
  - Make sure all valves on water supply are open.
  - Check hose from faucet for twisting or tight bending.
  - Water inlet pressure is very low.
  - Check if the filter screen of quick-connect with filter cap is clogged. (See CLEANING AND MAINTENANCE)
4. Water boils or vapor appears:
  - Lower temperature setting by turning thermostat control dial counterclockwise.