

UVC100

UV-C LED Disinfection Faucet

SGS Test-approved disinfection rate >99.9%

User's Manual

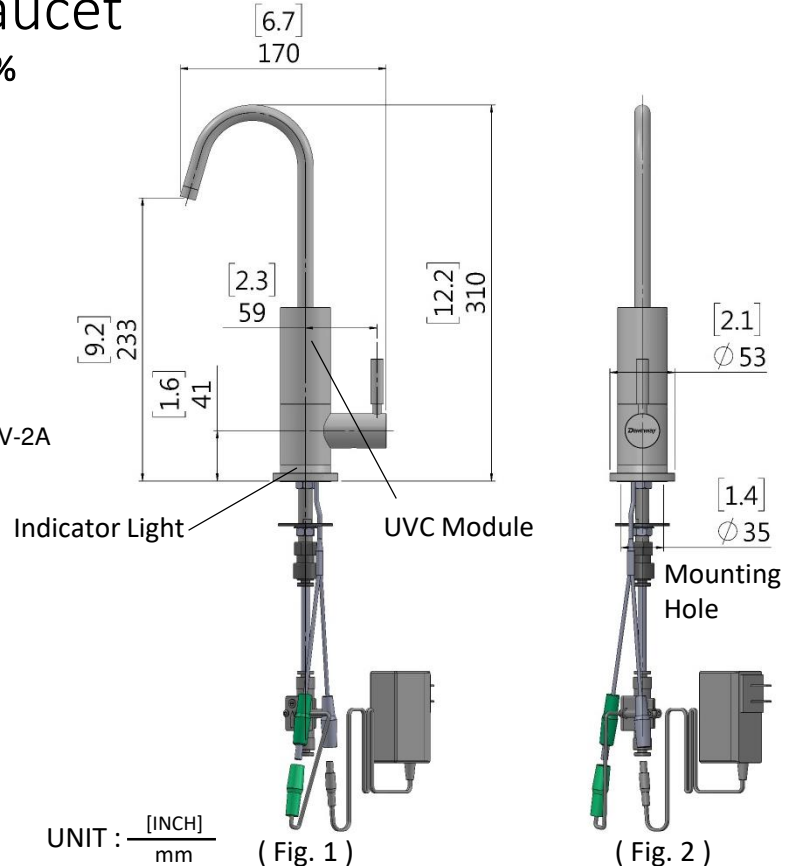
Specifications

- Power supply : Input 100VAC~240VAC / Output DC12V-2A
- Water Quality : Light penetration rate >=90%

Impurity Particle Size <= 10 μM

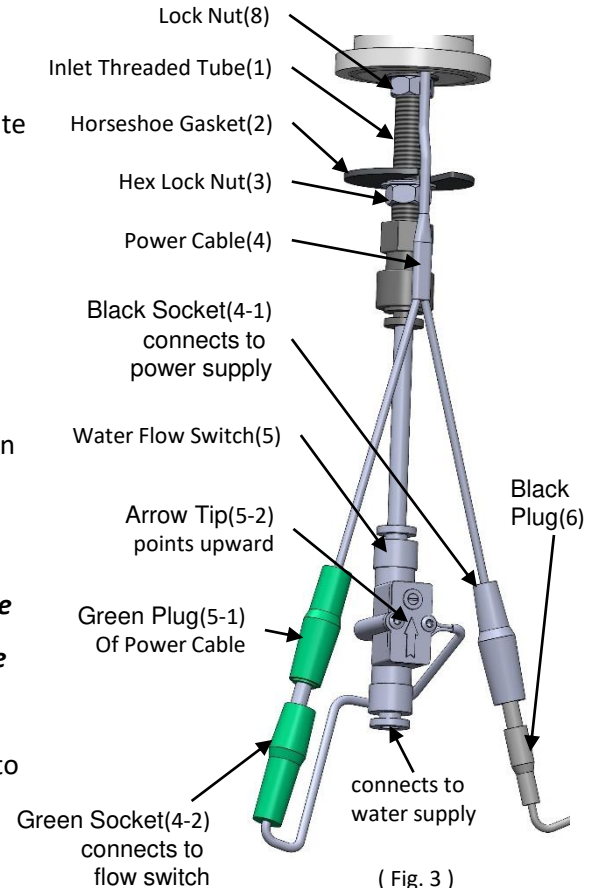
- Water Temperature : 5 ~ 40 °C
- Water Pressure : Max. 100 psi
- Flow Control : Max. 2LPM
- Ambient Temperature : 0 ~ 55 °C

Dawnway[®]



Installation Steps (Please refer to Fig. 3, Fig. 4)

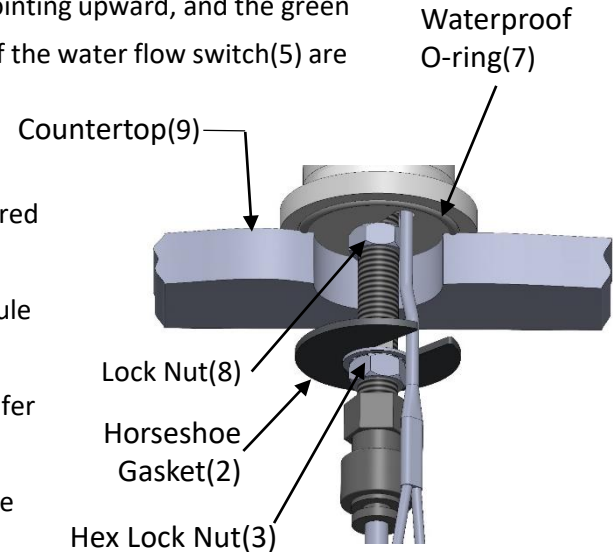
1. Ensure a $\phi 35\text{mm}$ mounting hole in the countertop.
2. **do not** remove or loosen the lock nut (8).
3. Ensure that the waterproof O-ring (7) is attached to the base plate of the faucet, remove the horseshoe gasket (2) and set it aside, and leave the rest of the parts on faucet .
4. Install faucet with the inlet threaded tube (1), water flow switch (5) and power cable(4) through the mounting hole($\phi 35\text{mm}$) in the countertop.
5. Place the horseshoe gasket (2) under the countertop (9) between the hex lock nut (3) and countertop(9) and then tighten the hex lock nut (3) . **(Please make sure that the power cable (4) must pass through the gap of the horseshoe gasket (2), otherwise the power cable will be damaged and thereby cause damage to the UVC module.)**
6. Please prepare a 1/4" PE pipe of suitable length, and connect it to the water flow switch (5) and the water supply connector.



7. Connect the black plug (6) of the adapter with the black socket (4-1) of the power cable, and connects to power supply. When the power cord is plugged into the power supply, the red and blue lights will flash once indicate that the faucet function is in normal standby state.
8. Turn on the water supply.
9. Do not disassemble the water flow switch (5) unless necessary, once disassembled, please **ensure** the arrow tip(5-2) of the water flow switch (5-1) is pointing upward, and the green plug (4-2)of the power cable(4) and the green socket (5-1) of the water flow switch(5) are connected.

Light Indicator

1. When the power cord is plugged into the power supply, the red and blue lights will flash once that means work.
2. Turn the faucet on, if the blue light is on, it means UVC module work (disinfection in process).
3. Red light on : It means UVC module is overheating, please refer to the troubleshooting guide.
4. Both red, blue lights on : It means UVC module failure, please refer to the troubleshooting guide.
5. Turn the faucet off, the light indicator goes off.



(Fig. 4)

Safety Guidelines

1. Please follow the instructions of the installation steps. It is recommended that you hire a qualified professional to complete the installation to prevent personal injury or damage.
2. Please consult your local dealer or official after-sales service personnel for any inquiry.
3. It is strongly recommended to use this with water purification equipments.
4. Water supply range: 15 ~ 40 PSI, Water quality: light penetration rate $\geq 90\%$, Particle Size: $\leq 10 \mu\text{M}$.
5. Please finish the disinfection water within four hours.
6. This product is a Hi-Tech electronic product; do not use abrasive or chemical cleaners to clean faucets.
7. Do not hang heavy object to this product and keep away from heat source, to avoid product deformation or damage.
8. Check the power supply and the product appearance regularly, if any damage is found, please turn off and suspend all use, and contact your local dealers or official after-sales service personnel for repair.
9. Please do not attempt to repair or replace the product with non-original spare parts, the warranty does not cover for damage as a result thereof.
10. Please read the manual and operate accordingly.

Troubleshooting Guide



Problem	Cause	Remedy
No water or low water pressure, the blue light is not on	Insufficient water pressure	Check if the water source is completely turned on
		Check if the water purifier is working properly
	Faucet failure	Contact the local dealer or official after-sales service personnel
water flows normally, the blue light is not on	Power supply failure	Check the power supply
	Water flow switch arrow pointing in wrong direction	ensure the arrow of the water flow switch is pointing upward (the arrow should point towards the faucet) Re-install
	Water flow switch failure	Contact the local dealer or official after-sales service personnel
	Control panel failure	
Red light is on	UVC module overheating	Discontinue use for one minute before re-use
	Water temperature too high	Lower water temperature
Both red and blue lights is on	UVC module failure	Contact the local dealer or official after-sales service personnel



Dawnway Enterprise Co., Ltd

69, Lane 466, Siangshang Road, Sec.9, Wuchi, Taichung, 43547, Taiwan

www.dawnway.com.tw